



ENGINE

Model	: ISUZU-AI-4HK1X
Type	: Water-cooled, 4 cycle, 4 cylinders, line type direct injection, turbocharger, intercooler, electronic diesel engine
Power	: 172 HP @2000 rpm / SAE J1995 (Gross) : 162 HP @2000 rpm / SAE J1349 (Net)
Max. Torque	: 674 Nm @1500 rpm (Gross) : 653 Nm @1500 rpm (Net)
Displacement	: 5193 cc
Bore and Stroke	: 115 mm x 125 mm
Emission Class	: FAZ III-B (Tier 4 interim)

This new engine complies with the Emission Regulations U.S. EPA Tier 4 interim, and and EU Stage III-B

UNDERCARRIAGE

X Type Lower Frame Construction Pentagon Box Type Chassis	
Shoe	: Triple grouser
No. Of Shoes	: 2 x 49
No. Of Lower Rollers	: 2 x 9
No. Of Upper Rollers	: 2 x 2
Track Tensioning	: Hydraulic Spring Tensioning

CAB

- Wide cab and easy entrance
- Use of six viscomount cabin mountings that dampen the vibrations
- Cooled storage room
- Colourful, Easy to read TFT indicant monitor
- Glass holder, book and object storage pockets
- Full automatic digitally air-conditioner
- Overclass standarts on the visibility
- Pool type flor mat
- Improved operator's comfort through versatile adjustable seat
- Ergonomically redesigned cabin through relocated switch board, and re-styled travel pedals and levers
- USB connected MP3 player
- Easy to open the front sliding glass
- Front and rear sun visor
- Large storage areas
- Height adjustable joystick
- Improved seat to back angle
- The height adjustable seat armrests
- Opera Control System

TRAVEL AND BRAKERS

Travel	: Fully hydrostatic
Travel Motors	: Axial piston type
Reduction	: 2 stage planetary gear
Travel Speed	
High Speed	: 5,8 km/h
Low Speed	: 3,8 km/h
Max. Drawbar Pull	: 18,435 kgf
Gradeability	: 35° (%70)
Parking Brake	: Hydraulic multi disc type

LUBRICATION

Centralized lubrication system is provided for lubrication all difficult-to-reach parts on the components, such as boom and arm

HYDRAULIC SYSTEM

Main Pump	
Type	: Double variable displacement axial piston pumps
Max. Flow	: 2 x 233 L/min
Pilot Pump	: Gear, 20 L/min
Relief Valves	
Attachment	: 330 kgf/cm ²
Power Boost	: 350 kgf/cm ²
Travel	: 350 kgf/cm ²
Swing	: 240 kgf/cm ²
Pilot	: 40 kgf/cm ²
Cylinders	
Main Boom	: 2 x ø 125 x ø 85 x 1.325 mm
Stick Cylinder	: 1 x ø 140 x ø 100 x 1.640 mm
Bucket Cylinder	: 1 x ø 125 x ø 85 x 1.060 mm

OPERA CONTROL SYSTEM

- Easy-to-use control panel and menus
- Overheat prevention and protection system without interrupting the work
- Automatical electric power-off
- Maximum efficiency by selection of power and work modes
- Error mode registry and warning system
- Improved fuel economy and productivity
- Automatic idling Selection of multi-language on control panel
- Rear-view, arm-view camera (Optional)
- Possibility to register 26 different operating hours
- Anti-theft system with personal code
- Real time monitoring of operational parameters such as pressure, temperature, engine load

SWING SYSTEM

Swing Motor	: Axial piston type integrated with shock absorber valves
Reduction	: 2 stage planetary gear box.
Swing Brakes	: Hydraulic multi disc type, automatic warnings
Swing Speed	: 10,8 rpm

CAPACITY

Fuel Tank	: 354 L	Engine Oil	: 20,5 L
Hydraulic Tank	: 258 L	Swing Reduction	: 5 L
Hydraulic System	: 295 L	Travel Reduction	: 2 x 5,3 L
Radiator	: 29,3 L		

ELECTRICAL SYSTEM

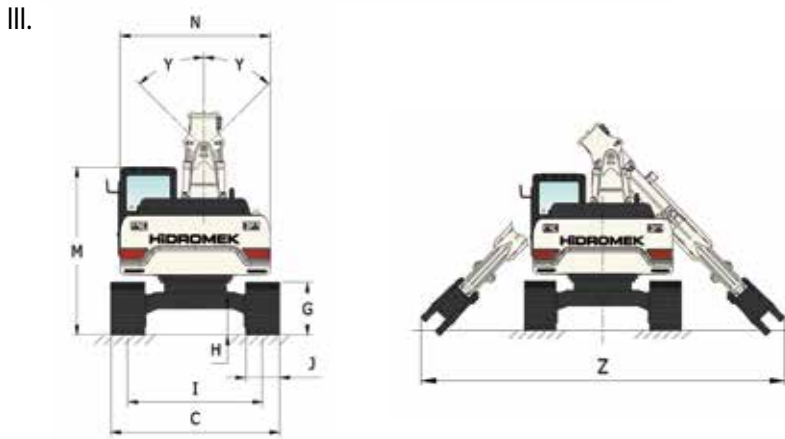
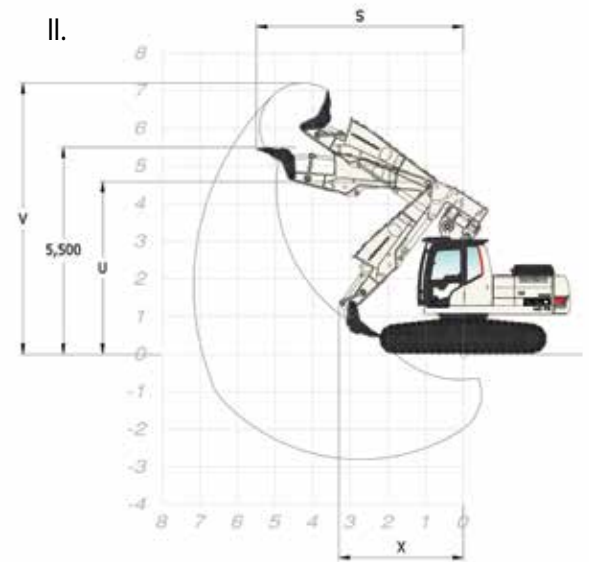
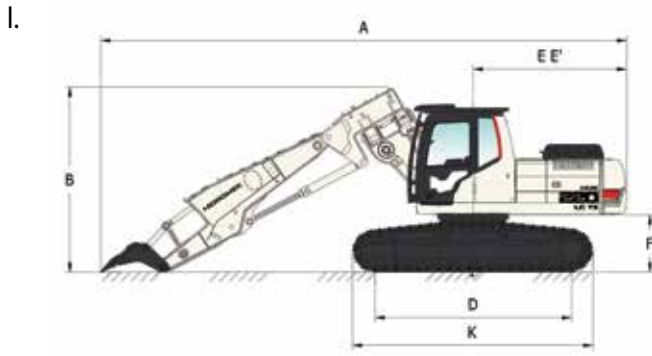
Voltage	: 24V
Battery	: 2 x 12 V x 100 Ah
Alternator	: 24 V / 50 A
Starting Motor	: 24V / 5,0 kW

OPERATING WEIGHT

Standard machine operating weight : 23.850 kg

Operational weight, complying with the ISO 6016 standards, includes full fuel tank, hydraulic system and other liquids, 75kg operator weight and standard equipped machine weight. Optional equipments are not included.

HMK 220 LC TX



I. GENERAL DIMENSIONS

Boom Dimension	2.700 mm
Arm Dimension	3.890 mm
A - Overall length	9.750 mm
B - Overall height (to top of boom)	3.430 mm
C - Overall width	2.990 mm
D - Idler distance	3.640 mm
E - Tail swing radius	2.800 mm
F - Upperstructure ground clearance	1.060 mm
G - Crawler height	935 mm
H - Min. ground clearance	465 mm
I - Track gauge	2.390 mm
J - Shoe width	600 mm
K - Overall length of crawler	4.460 mm
L - Length over ground	4.460 mm
M - Overall height (to top of cab)	2.985 mm
N - Upperstructure width	2.660 mm

II. WORKING DIMENSIONS

Boom Dimension	2.700 mm
Arm Dimension	3.890 mm
S - Vertical reach at 5.5 m	5.500 mm
U - Maximum Digging Height	4.600 mm
V - Max. digging height	7.200 mm
Y - Boom swing angle	45°
Z - Maximum working width	6.900 mm
X - Attachment swing Radius	3.350 mm

III. DIGGING PERFORMANCE

Ripper Breakout force	11.370 kgf
Ripper Breakout force (powerboost)	12.400 kgf

HIDROMEK

FACTORY - HEAD OFFICE

Ahi Evran OSB Mahallesi Osmanlı Caddesi No:1 06935 Sincan / ANKARA / TURKEY
Tel: (+90) 312 267 12 60 Fax: (+90) 312 267 12 39
www.hidromek.com

Notice:
Hidromek has the right to modify the specifications and design of the model indicated on this brochure without prior notice.